

100W LED+ HIGH BAY LIGHT

100W LED+ HIGH BAY LIGHT

IoT Dimmable – Powered by EasyGo™ Smart Lighting

ITEM		PARAMETER
Input Voltage		AC100-305V
Frequency		50/60Hz
Power Factor		> 0.95
Rated Power		100W
Initial Flux*	WW/NW/CW	16000 Lm(±5%)
CCT	WW	3000K
	NW	4000K
	CW	5000K
CRI	WW/NW/CW	80
Beam Angle		60°/90°/120°
Working Temperature		-40°C+60°C
Storage Temperature		-40°C~+60°C(25°C)
IP Grade		IP66
Working Life-span		>50000H
Power Line		1.0mm ²
Wire Connection	Brown	L
	Blue	N
	Yellow/Green	G
Weight		4.2Kg
Color of Lamp Shell		Black

VARIATIONS**

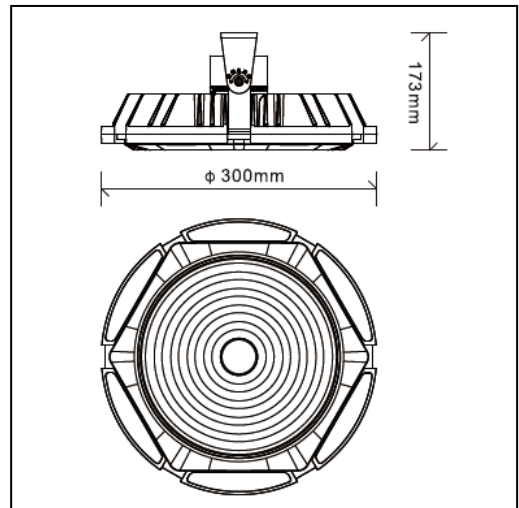
- [RS-HBL-100W-D-WW-YY](#) ➤ [RS-HBL-100W-D-NW-YY](#)
- [RS-HBL-100W-D-CW-YY](#)

*Improves with the development of LED technology

** -D: IoT Dimmable (LoRa); YY stands for beam angle. could be 60, 90, 120



Dimension



60° Light Distribution

